

MV Installation Instructions

(Page 1 of 6)

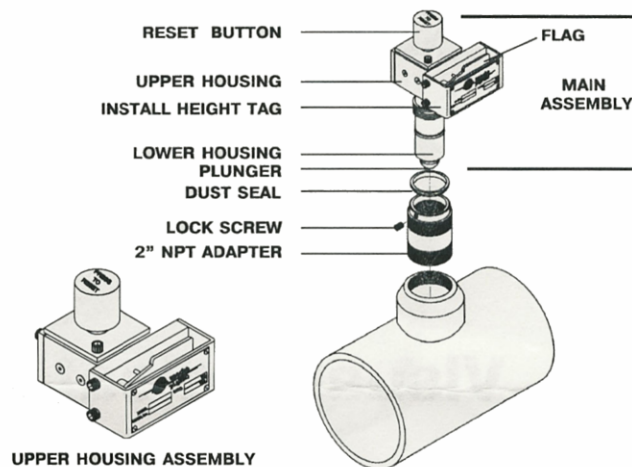
Prior to the installation of the Pig Detector, be sure to read the information in this manual carefully to obtain a complete understanding of the entire installation process.

The following precautions should be used when installing and adjusting the Pig Detector.

- Do not damage top threads of 2" NPT Adapter.
- Thread 316 stainless-steel 2" NPT Adapter hand-tight into thread-o-let before tightly securing with pipe wrench.
- Do not strike the Reset Button.
- Do not tighten Lower Housing to seal. The Lower Housing should be turned only for Plunger adjustment.

Pig Detector Components

(For Non-Pressurized Application)



email: sales@pigsunlimited.com

23802 FM 2978, Suite B3 • Tomball, TX 77375 • Tel: 281-351-2749 • Fax: 281-351-4658 • Toll-free: 800-578-7436

www.pigsunlimited.com

Installation for Non-Pressurized Line Application

Note: Do not install or remove in a pressurized pipeline without first acquiring the services of a qualified hot-tap specialist.

1. Cut or drill 1-1/4" coupon from the pipeline.
2. Center 2" 3000-lb. thread-o-let over the opening and weld to applicable codes.
3. Apply thread sealant to bottom threads of 2" NPT Adapter and tighten clockwise the Main Assembly with 2" NPT Adapter into 2" 3000-lb. thread-o-let (Figure 1). Use pipe wrench to securely tighten 2" NPT Adapter, ensuring no damage to the threads occurs.
4. Loosen Lock Screw on 2" NPT Adapter (Figure 2).
Note: There is no need to separate 2" NPT Adapter from the Main Assembly.
5. Adjust Main Assembly by turning Upper Housing clockwise or counter-clockwise to attain "Install Height" marked on tag located on Upper Housing (Figure 3).
Note: See Page 6 for detailed drawing of Height Adjustment.
6. Tighten Lock Screw to secure Main Assembly and slide Dust Seal onto 2" NPT Adapter (Figure 4).

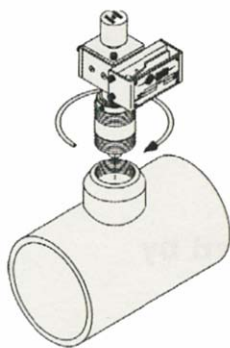


Figure 1

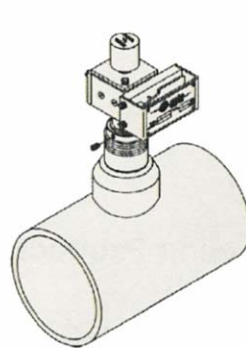


Figure 2

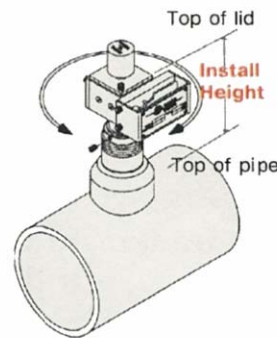


Figure 3

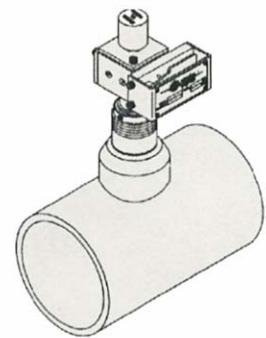


Figure 4

email: sales@pigsunlimited.com

23802 FM 2978, Suite B3 • Tomball, TX 77375 • Tel: 281-351-2749 • Fax: 281-351-4658 • Toll-free: 800-578-7436

www.pigsunlimited.com

Installation for Pressurized Line Application

Note: Prior to installation for pressurized application, the Pig Detector needs to be disassembled, referring to Figures 5, 6, 7 and Component Diagram on Page 4.

1. Remove Reset Button by simultaneously applying upward pressure and turning counter-clockwise.
2. Remove the two screws allowing removal of Lid (Figure 5).
Note: Do NOT remove Jam Nut or Load Spring Adjuster from Lid.
3. Remove Load Spring and Reset Rod.
4. With Flag in “Up” position, remove Reset Rod and Flag Push Rod.
5. Remove the two screws and lift Upper Housing Assembly from Lower Housing (Figure 6).
6. Loosen Lock Screw and remove Lower Housing from 2” NPT Adapter by turning counter-clockwise, ensuring it is not exposed to dirt or other contaminants. Remove black Dust Seal (Figure 7).
7. Apply thread sealant tape to the outside top and bottom threads of 2” NPT Adapter and tighten into existing thread-o-let.
Note: Do not apply sealant tape to internal threads.

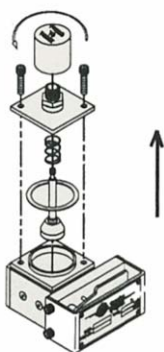


Figure 5

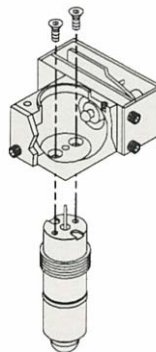


Figure 6



Figure 7

email: sales@pigsunlimited.com

23802 FM 2978, Suite B3 • Tomball, TX 77375 • Tel: 281-351-2749 • Fax: 281-351-4658 • Toll-free: 800-578-7436

www.pigsunlimited.com

MV Installation Instructions

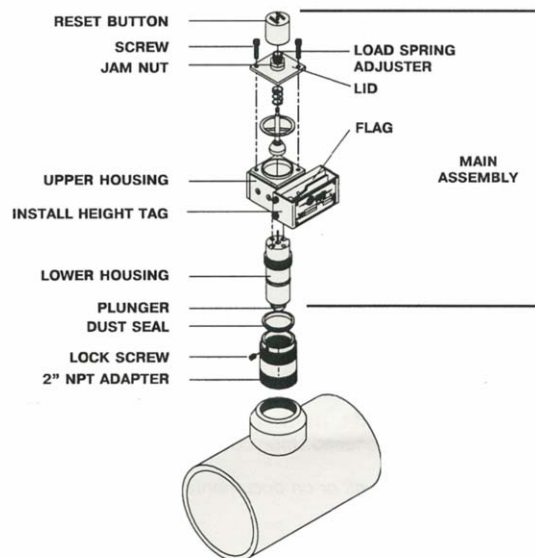
(Page 4 of 6)

Installation for Pressurized Line Application (Continued)

8. Utilizing a trained hot-tap technician, connect hot-tap apparatus to 2" NPT Adapter and follow standard hot-tapping procedures to drill and remove 1-1/4" coupon from pipeline.
Note: Exercise caution so as to not scratch internal sealing surface upon removal of coupon.
9. Ensuring hot-tap machine is depressurized above ball valve, disconnect and attach Hot-Tap Adapter to Lower Housing, fastening with the two screws provided.
Note: The Hot-Tap Adapter (Sold Separately) fits most industry hot-tap machines.
10. Connect the Lower Housing and Hot-Tap Adapter to hot-tap machine.
11. Gently, engage the stainless-steel thread of the Lower Housing to the 2" NPT Adapter, being sure to not gall threads. Ensure the Lower Housing is securely threaded and sealed to 2" NPT Adapter prior to removal of hot-tap equipment.

Pig Detector Components

(For Pressurized Application)



email: sales@pigsunlimited.com

23802 FM 2978, Suite B3 • Tomball, TX 77375 • Tel: 281-351-2749 • Fax: 281-351-4658 • Toll-free: 800-578-7436

www.pigsunlimited.com

MV Installation Instructions

(Page 5 of 6)

Note: The following steps for reassembly refer to Figures 8 and 9.

12. It is very important to tighten Lock Screw to prevent removal of Lower Housing prior to loosening screws to remove Hot-Tap Adapter.
13. Reinstall Dust Seal to Lower Housing.
14. Using two screws from step 5, install Upper Housing Assembly to the Lower Housing.
15. With the Flag in the “Up” position, reinstall Flag Push Rod and seat Reset Rod back in place.
16. Set Load Spring onto Reset Rod.
17. Install Lid Gasket to Upper Housing lip and Lid using two screws from step 2.
18. Screw Reset Button onto Reset Rod, ensuring it turns freely.
19. Push down on Reset Button to fully extend Plunger into pipe bore. Push Flag into “Down” position.
20. Adjust to “Install Height” (See Illustration on Page 6). Lock Screw may need to be loosened. Upon completion of height adjustment, retighten Lock Screw.

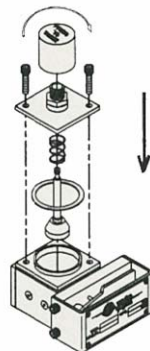


Figure 8

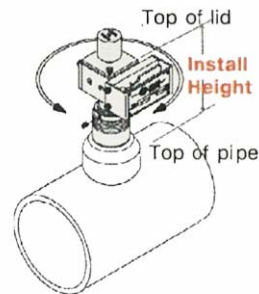


Figure 9

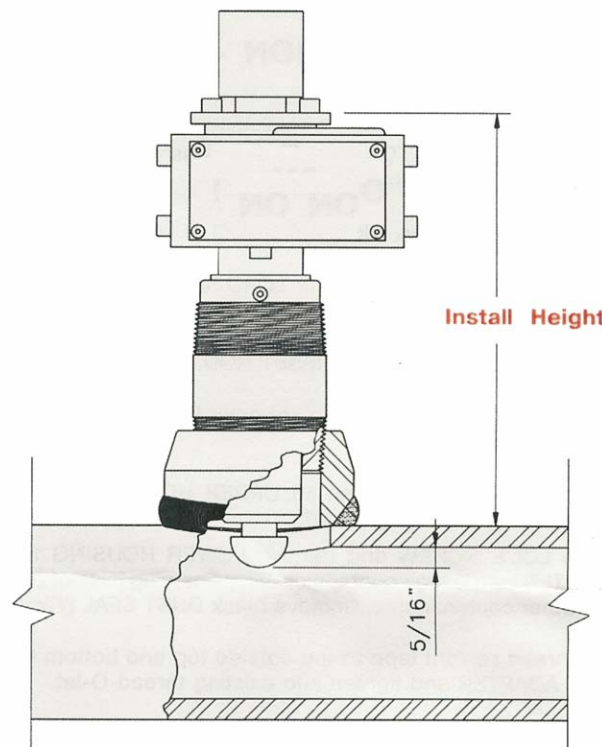
email: sales@pigsunlimited.com

23802 FM 2978, Suite B3 • Tomball, TX 77375 • Tel: 281-351-2749 • Fax: 281-351-4658 • Toll-free: 800-578-7436

www.pigsunlimited.com

Installation Height Adjustment

The detection of the pig's passage is dependent on the proper "Install Height" of the Pig Detector. Incorrect "Install Height" could void the warranty of the unit. Please see below illustration for more detail.



Height adjustment can be obtained by simply turning the Upper Housing clockwise or counter-clockwise to attain "Install Height" marked on tag located on Upper Housing.

Please do not hesitate to contact us with any questions you may have during installation.

email: sales@pigsunlimited.com

23802 FM 2978, Suite B3 • Tomball, TX 77375 • Tel: 281-351-2749 • Fax: 281-351-4658 • Toll-free: 800-578-7436

www.pigsunlimited.com