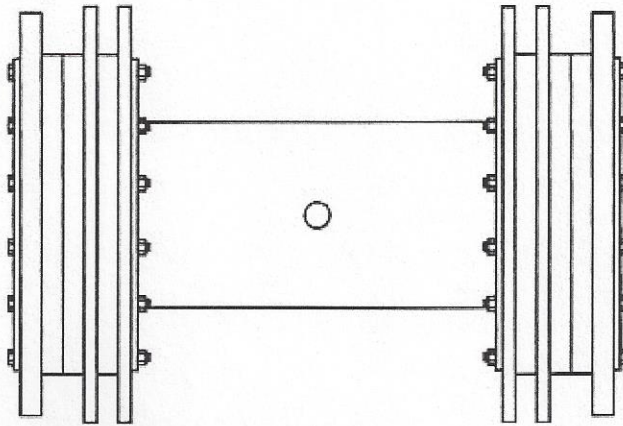
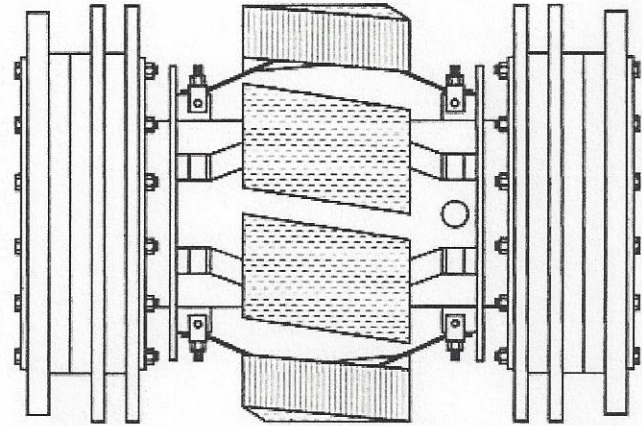


MULTI-DISC PIGS



MD



MDB

SIZE	LENGTH	WEIGHT	VOLUME
2"	2.5"	3	.01
3"	3.5"	5	.02
4"	4.5"	7	.04
6"	8"	10	.07
8"	10"	25	.37
10"	12"	40	.69
12"	15"	50	1.25
14"	16"	55	1.81
16"	19"	85	2.81
18"	21"	105	3.94
20"	23"	140	5.32
22"	24"	160	6.72
24"	26"	200	8.67
30"	32"	250	16.67
36"	38"	450	28.50
42"	44"	725	44.92
48"	52"	1350	69.33

SIZE	LENGTH	WEIGHT	VOLUME
2"	4"	4	.01
3"	5"	6	.03
4"	6.5"	8	.06
6"	10"	15	.21
8"	12"	30	.44
10"	14"	55	.81
12"	16"	85	1.33
14"	18"	90	2.04
16"	20"	140	2.96
18"	22"	165	4.13
20"	24"	200	5.56
22"	25"	235	7.00
24"	26"	325	8.67
30"	34"	570	17.71
36"	42"	790	31.50
42"	48"	1180	49.00
48"	54"	1450	72.00

SPECIFICATIONS: Sturdy carbon-steel body equipped with easily replaceable urethane guide, sealing and spacer discs. Capable of being fitted with gauging plate and brushes or urethane blades providing 360-degree coverage of internal pipe surface.

APPLICATIONS: The versatility of this pig allows it to perform the duties of batching, gauging, separating, pre-commissioning and on-stream cleaning. The multi-disc pig design allows for ease in reversing pigging direction.

OPTIONS: Carbon-steel, stainless-steel, prostran brushes or urethane blades; aluminum or steel gauging plate.

email: sales@pigsunlimited.com

23802 FM 2978, Suite C-1 • Tomball, TX 77375 • Tel: 281-351-2749 • Fax: 281-351-4658 • Toll-free: 800-578-7436

www.pigsunlimited.com