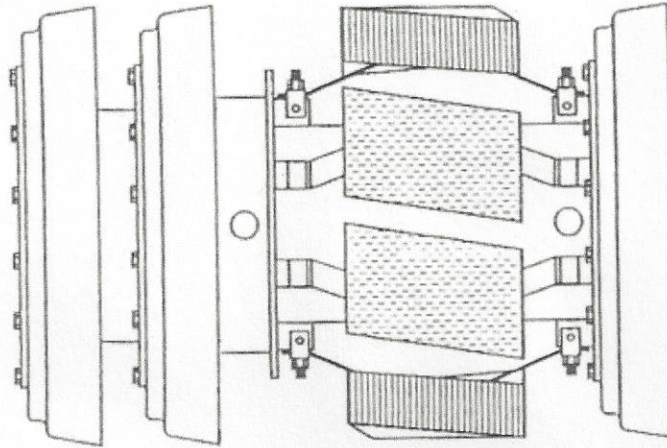


CLEANING PIGS



LRB-3

<u>SIZE</u>	<u>LENGTH</u>	<u>WEIGHT</u>	<u>VOLUME</u>
16"	20"	140	2.96
18"	22"	150	4.13
20"	24"	175	5.56
22"	26"	200	7.28
24"	28"	250	9.33
30"	34"	425	17.71
36"	42"	575	31.50
42"	48"	750	49.00
48"	54"	1500	72.00

SPECIFICATIONS: Sturdy carbon-steel body equipped with easily replaceable cups and brushes mounted on wear-compensating springs providing 360-degree coverage of internal pipe surface.

APPLICATIONS: Primarily used for pre-commission and on-stream cleaning of crude oil, refined product, and natural gas pipelines where rust, millscale, sand, wax, organic growth, mud, oxides and other foreign matter exists.

OPTIONS: Neoprene or urethane cups; carbon-steel, stainless-steel, prostran brushes or urethane blades; cantilever-spring or leaf-spring pig design. Discs can be substituted for cups on the LRB pig for bidirectional use.

email: sales@pigsunlimited.com

23802 FM 2978, Suite C-1 • Tomball, TX 77375 • Tel: 281-351-2749 • Fax: 281-351-4658 • Toll-free: 800-578-7436

www.pigsunlimited.com